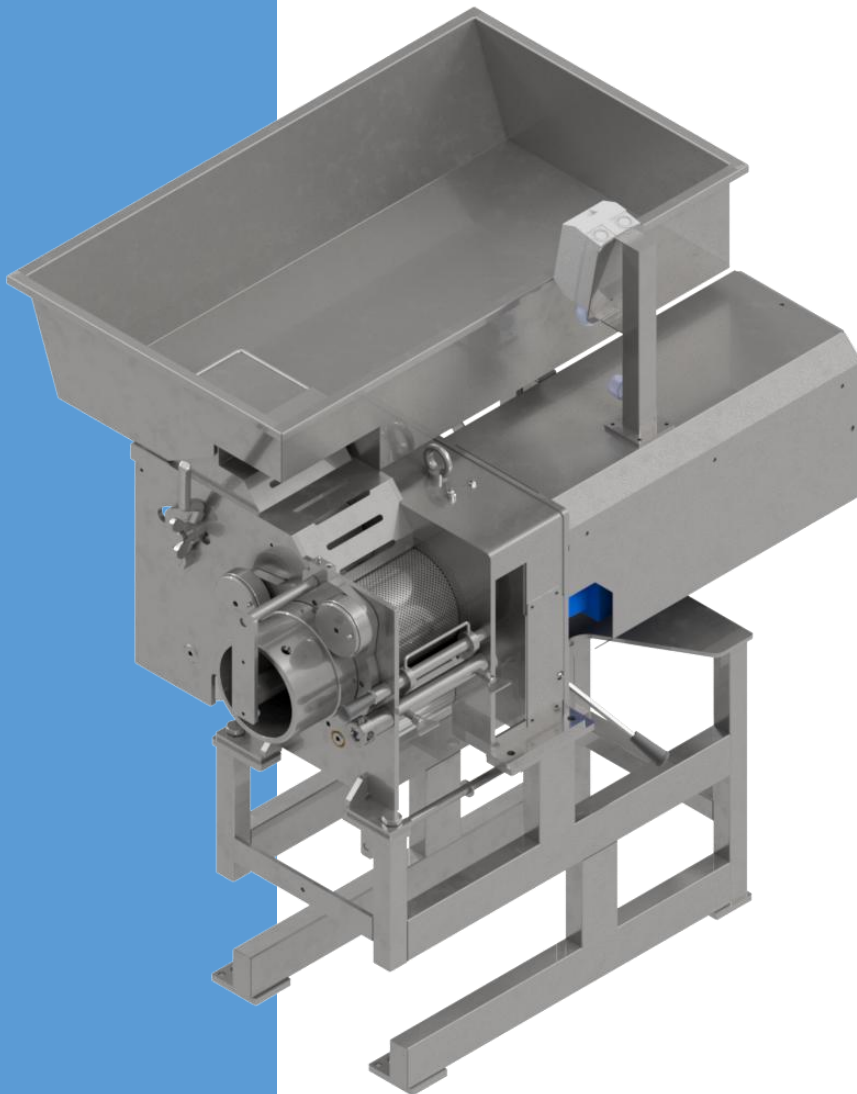


# RM 694

## MEAT AND BONE SEPARATOR



223, Gamcheonhang-ro, Saha-gu, Busan, South Korea, 49454

Fax: +82-51-2638-940

E-mail: [noatek1@gmail.com](mailto:noatek1@gmail.com)

CEO KIM A.B.

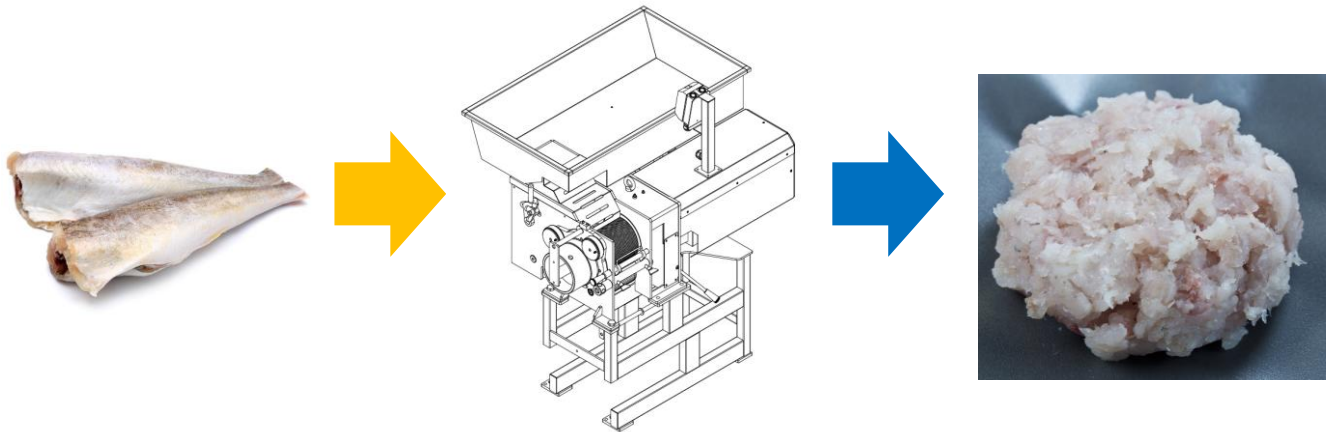
Phone: +82-10-5049-4892

## Technical data

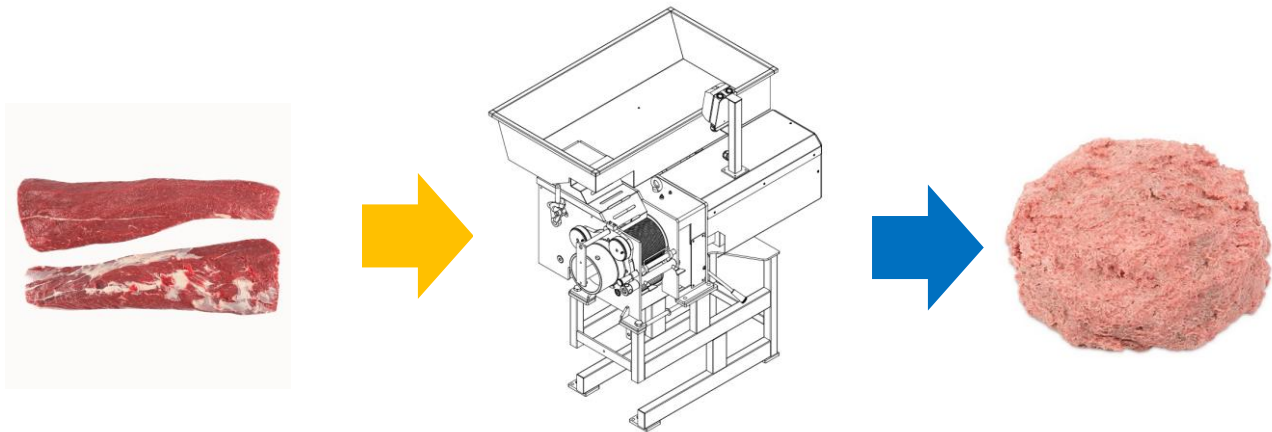
|                                |   |
|--------------------------------|---|
| OEM                            | RM Pusan Group  |
| Equipment                      | Meat and bone separators or mincing machines are used to separate meat from bone in the production of edible minced meat, chicken or fish, which allows the production to expand the range of products. range of products and maximise the use of raw materials |
| Throughput rate                | up to 400 kg/h depending on the quality of the raw material, the size of the holes in the perforated drum and its speed.  |
| Frame material                 | Stainless steel   |
| Power consumption              | 2,2 kW  |
| Connection to power supply     | 380V 3 phase 50/60 Hz   |
| Perforated drum rotation speed | adjustable (up to 30 revolutions/min)   |
| Dimensions of the machine      |   |
| Length                         | 1229 mm   |
| Width                          | 894 mm  |
| Height                         | 1281 mm   |
| Weight                         | 300 kg  |

---

Raw fish. .... Processing..... End-product



Raw meat. .... Processing..... End-product



Dimension drawing

