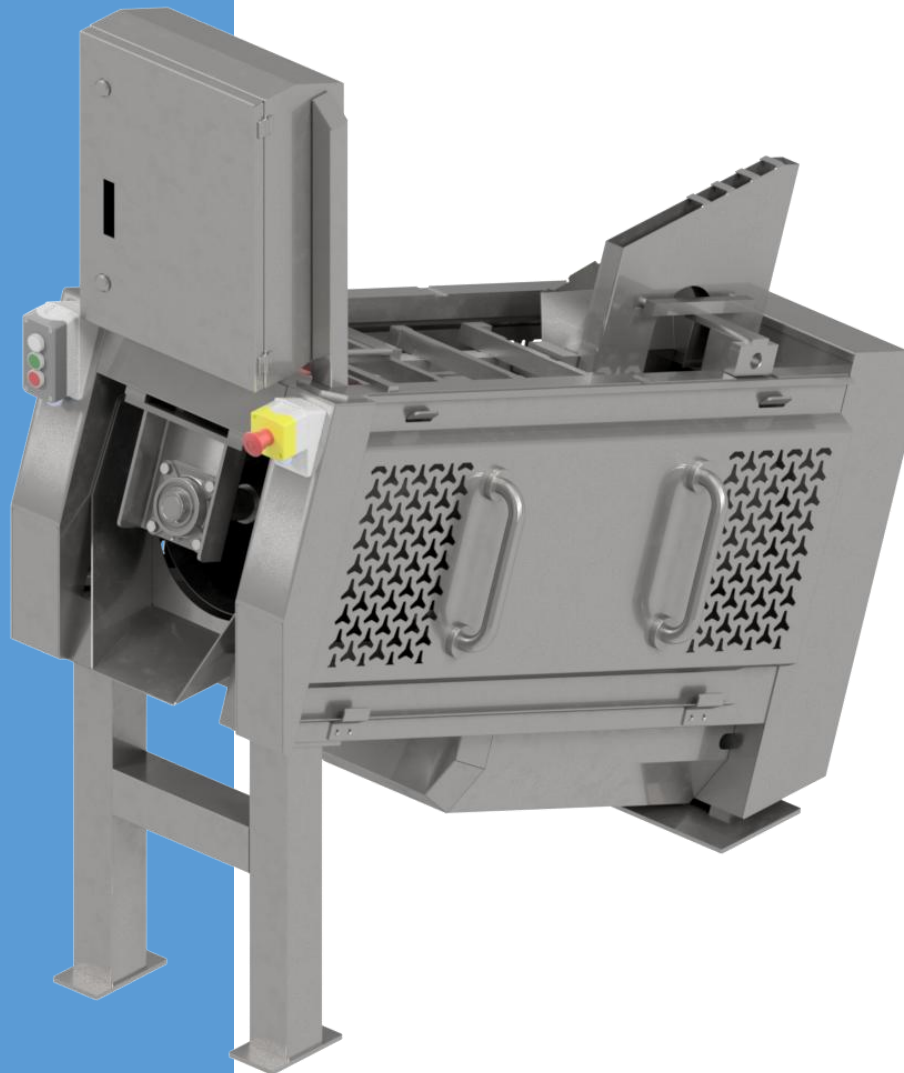


# RM 523

## DEWATERING PRESS



223, Gamcheonhang-ro, Saha-gu, Busan, South Korea, 49454

Fax: +82-51-2638-940

E-mail: [noatek1@gmail.com](mailto:noatek1@gmail.com)

**CEO KIM A. B.**

Phone: +82-10-5049-4892

## Technical data

OEM	RM Pusan Group
Equipment	Designed for dehydration of fish mince
Throughput rate:	up to 1200 kg/h
Frame material	Stainless steel
Power consumption	1,5 kW
Connection to power supply	380V 3 phase 50/60 Hz
Dimensions of the machine	
Length	1462 mm
Width	560 mm
Height	1646 mm
Weight	400 kg

---

Dimension drawing

