

RM 421

SORTING MACHINE



223, Gamcheonhang-ro, Saha-gu, Busan, South Korea, 49454

Fax: +82-51-2638-940

E-mail: noatek1@gmail.com

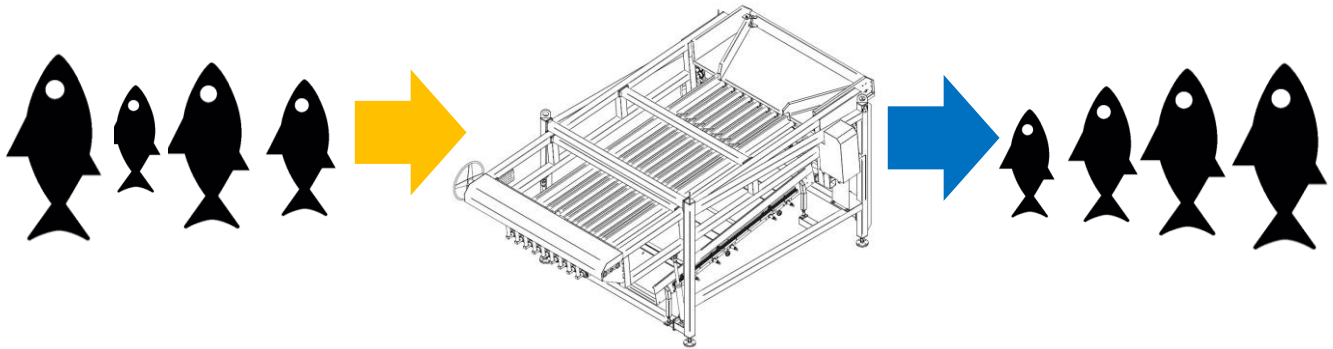
CEO KIM A.B.

Phone: +82-10-5049-4892

Technical data

OEM	RM Pusan Group
Equipment	Designed for size sorting of the following fish species: cod fish (pollock, hake), pelagic fish (herring, mackerel)
Size range	Cod - maximum length 90 cm Pelagic - maximum length 17 cm
Throughput rate:	
4 sorting lanes (cod/pelagic)	up to 18,000 kg/h/ up to 12,000 kg/h
6 sorting lanes (cod) (cod/pelagic)	up to 27,000 kg/h/ up to 18,000 kg/h
8 sorting lanes (cod) (cod/pelagic)	up to 36,000 kg/h/ up to 24,000 kg/h
Frame material	Stainless steel
Power consumption	7,5 kW
Connection to power supply	380V 3F 50 Hz
Industrial water	
Consumption	20 l/min
Pressure	3-6 bar
Connection	Ø 20MM
Dimensions of the machine	
Length	3985 mm
Width	1644 mm
	4 sorting lanes - 1270 mm
	6 sorting lanes - 1670 mm
	8 sorting lanes - 2070 mm
Height	1915 mm
Weight	950 kg
4 sorting lanes	1020 kg
6 sorting lanes	1400 kg
8 sorting lanes	1800 kg

Products in different sizes..... Sorting process.....Products are sorted by size



Dimension drawing

