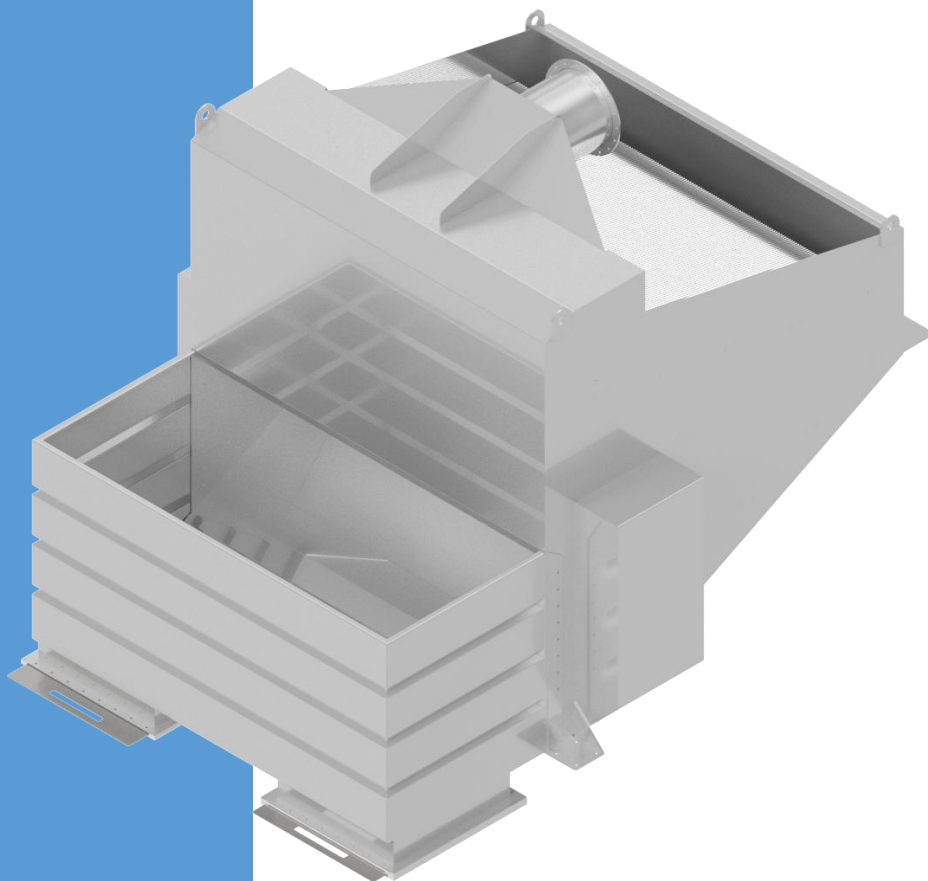


# RM 280

## WATER SEPARATOR



223, Gamcheonhang-ro, Saha-gu, Busan, South Korea, 49454

Fax: +82-51-2638-940

E-mail: [noatek1@gmail.com](mailto:noatek1@gmail.com)

CEO KIM A.B.

Phone: +82-10-5049-4892

## Technical data

OEM	RM Pusan Group
Equipment	Designed to separate the water-fish flow when pumping fish using a fish pump.
Material	Aluminum
Inlet pipe	Ø350 mm
Outlet pipe	Ø350 mm
Dimensions	
Length	3830 mm
Width	3060 mm
Height	2943 mm
Weight	830 kg

---

Dimension drawing

