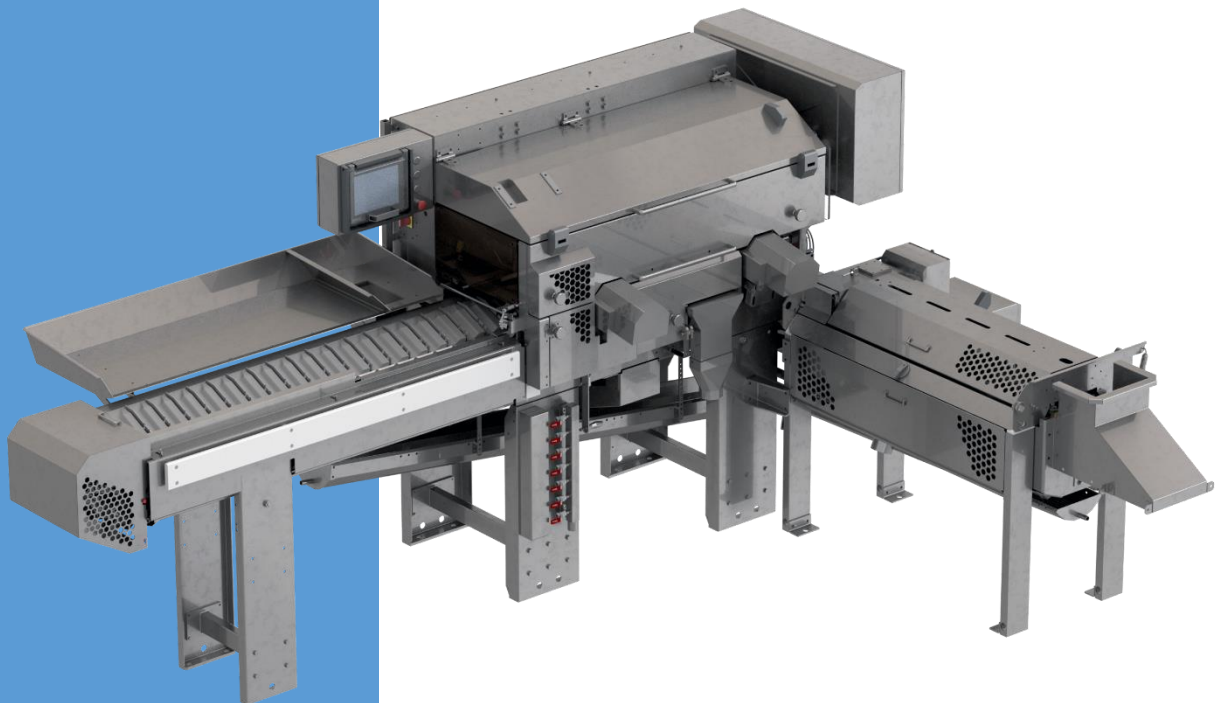


RM 195HRF

FILLETING COMPLEX
FOR FILLETING HERRING
AND SMALL POLLACK



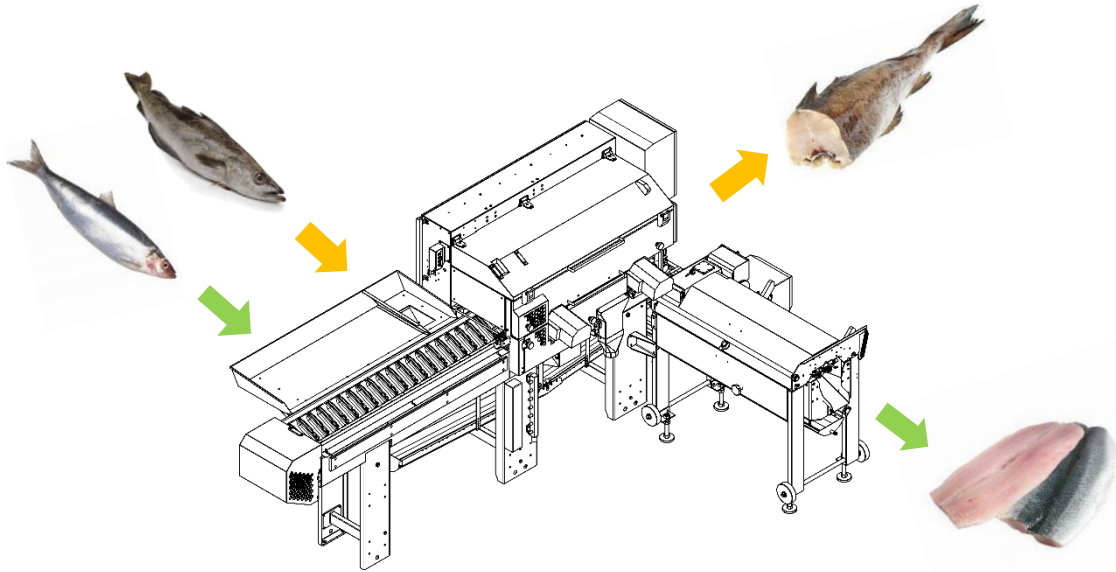
223, Gamcheonhang-ro, Saha-gu, Busan, South Korea, 49454
Fax: +82-51-2638-940
E-mail: noatek1@gmail.com
CEO KIM A. B.
Phone: +82-10-5049-4892

Technical data

| | |
|----------------------------|--|
| OEM | RM Pusan Group |
| | Designed for the production of butterfly herring fillets and small pollock with the size from 25 to 43 cm. |
| Throughput rate*: | |
| for herring | up 22 to 40 cm at speeds up to 320 fish/min. |
| for pollack | up 25 to 43 cm at speeds up to 160 fish/min. |
| Frame material | Stainless steel |
| Power consumption | 7,0 kW |
| Connection to power supply | 380V/460V 3 phase 50/60 Hz |
| Industrial water | |
| Flow rate | up to 70 l/min |
| Pressure | 3-6 bar |
| Connection | 2 x 1 " (hose inner diameter) |
| Dimensions of the machine | |
| Length | 4410 mm |
| Width | 2470 mm |
| Height | 1840 mm |
| Weight | 1 400 kg |

* - throughput rate depends on raw material size

Raw fish.....Processing.....End-product



Dimension drawing

