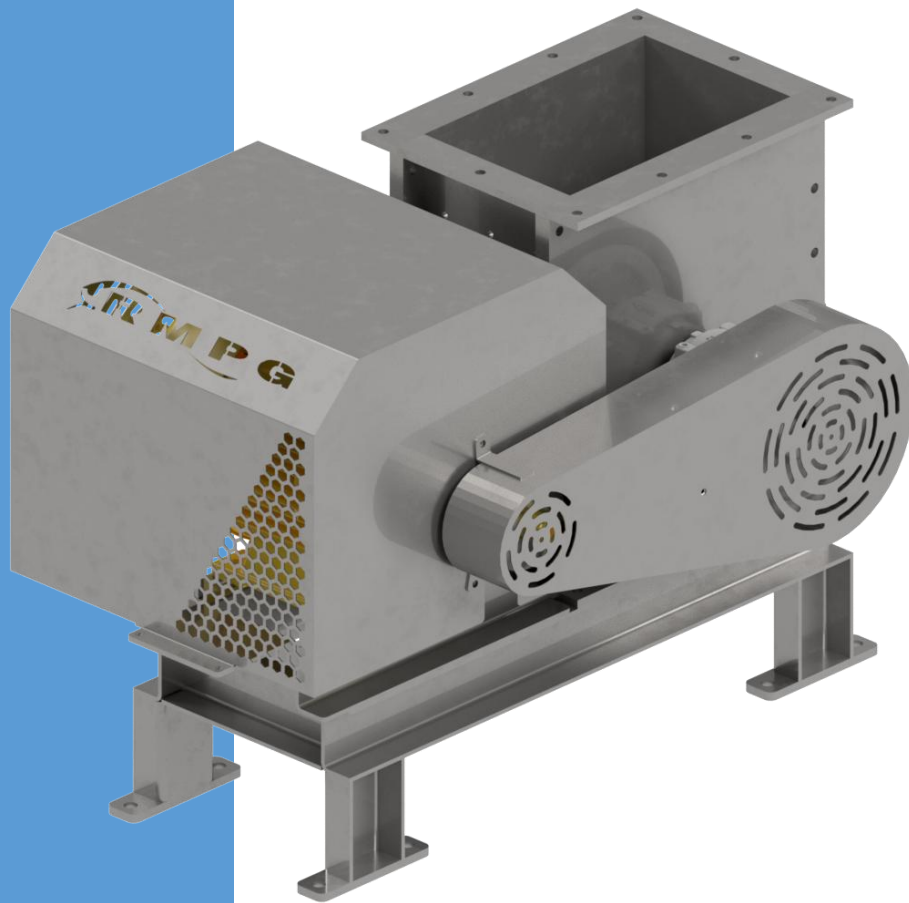


RM 150

WASTE GRINDER



223, Gamcheonhang-ro, Saha-gu, Busan, South Korea, 49454

Fax: +82-51-2638-940

E-mail: noatek1@gmail.com

CEO KIM A. B.

Phone: +82-10-5049-4892

Technical data

OEM	RM Pusan Group
	designed for grinding waste such as fish heads, tails, bones, etc.
Frame material	Stainless steel
Knife material	carbon steel
Power consumption	7,5 kW
Connection to power supply	380V 3Ph 50Hz
Rotor rotation speed	about 1500 rpm
Throughput rate	7 t/hour
Dimensions	
Length	1151 mm
Width	673 mm
Height	802 mm
Weight	about 300 kg

Dimension drawing

